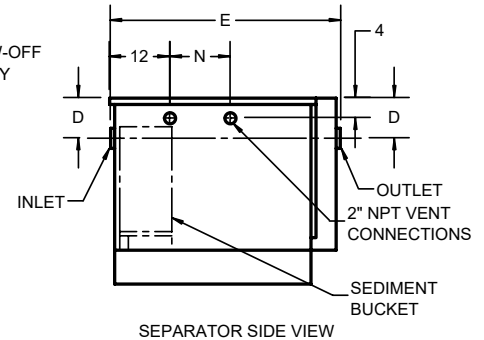
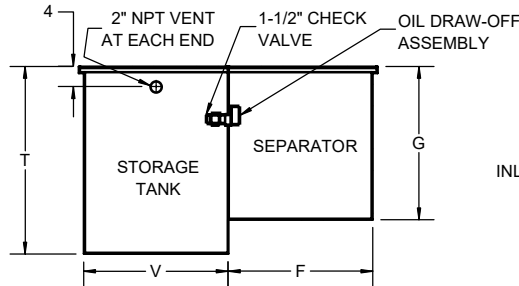
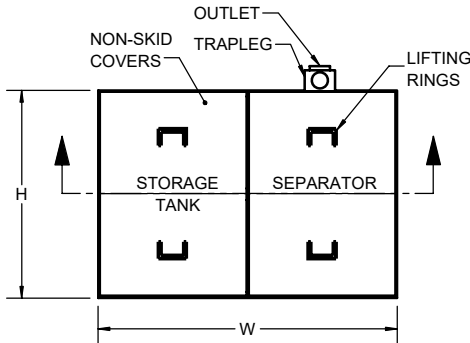
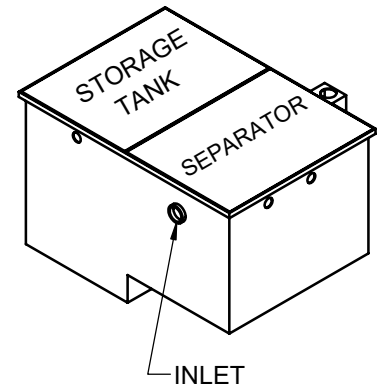


60610-EST

Oil Separator With External Storage Tank Specification

Josam 60610-EST steel oil separator, flush-with-floor type with oil storage tank, threaded connections, flat bottom, visible double wall trap, sediment bucket, gasketed cover, acid resistant coating (inside and out), check valve, and flow control fitting**.



OPTIONS:

	-19	Reclaim tank alarm
	-EST-EXT	Extension (specify "D" dimension) minimum "D" dimension = 8"
X	-EST	External storage tank
	-HD	Heavy-duty cover (must specify with separator order)

Product is non-cancellable and non-returnable

Name: _____

Signature: _____

Date: _____

Type	Flow rate	Tank Size (GAL.)	Pipe size	D	E	F	G	H	N	T	V	W	Weight (LBS.)	** Flow Control
60611-EST	75	100	3	8	46	31	29	41	12	37	24	59	1200	60714
60612-EST	100	250	4	8	54	35	31	47	14	48	35	70	1500	60714
60613-EST	150	250	4	10	60	39	37	53	16	45	35	74	2000	60714
* 60614-EST	200	250	5	15	67	42	49	54	18	48	35	77	2400	60715
* 60615-EST	250	500	5	15	72	46	51	63	20	60	45	91	3000	60715
* 60616-EST	350	500	6	15	80	52	55	71	23	56	45	97	3800	60716
* 60617-EST	500	500	6	26	91	59	70	83	27	66	45	104	5200	60716

* Furnished with 2-piece cover.

Josam product specifications in U.S. customary units are approximate and provided for reference only. For precise measurements, please contact Josam Technical Support. Josam reserves the right to change or modify product design, construction, specifications, or materials without prior notice and without incurring any obligation to make such changes and modifications on Josam products previously or subsequently sold.

Notes:



A WATTS Brand